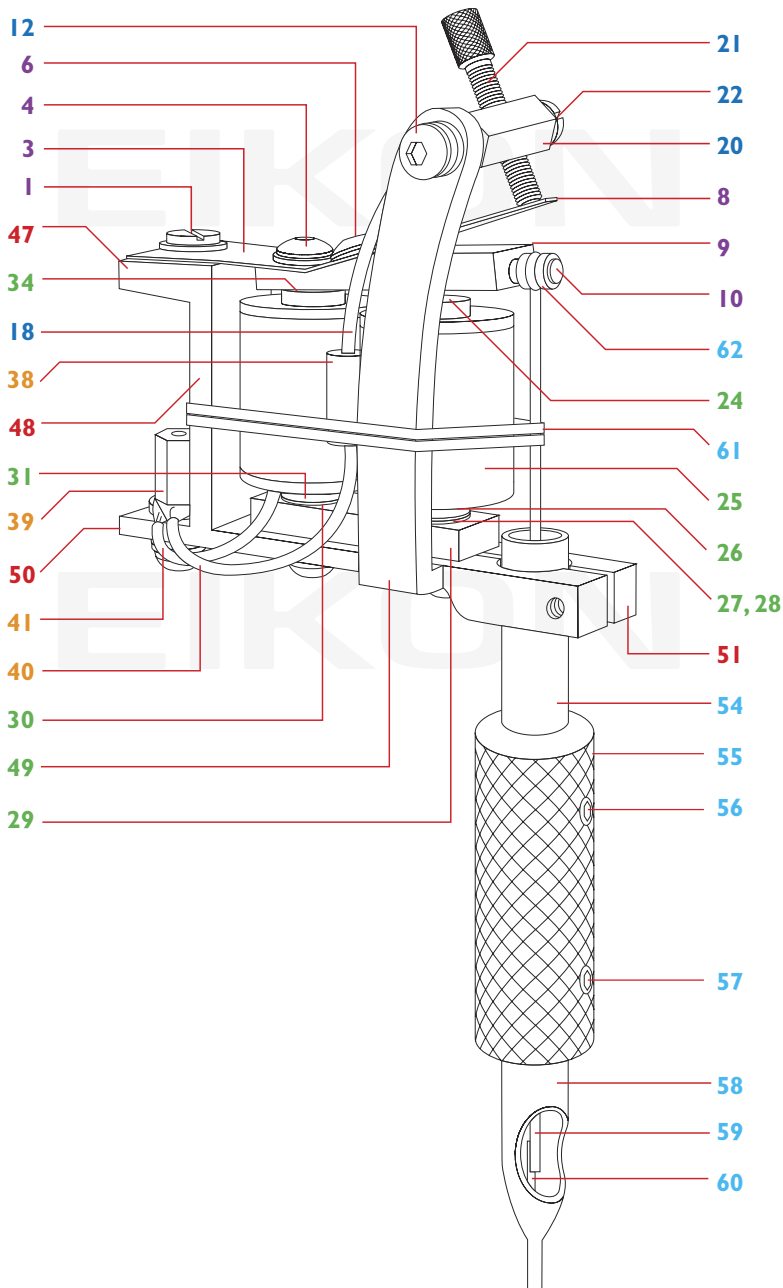


MACHINE PARTS - ASSEMBLED VIEW

Print Version



MACHINE PARTS LIST	
1. Main Spring Mounting Screw	33. Back Coil
2. Flat Washer	34. Back Coil Core (Top)
3. Main Spring (Back Spring)	35. Back Coil Mounting Screw
4. Armature Bar Screw	36. Front Coil Mounting Screw
5. Flat Washer	37. Coils Major Component or Magnetic System Component of Electrical System
6. Armature Bar Screw	
7. Flat Washer	38. Capacitor Major Component of Electrical System
8. Timing Spring (Front Spring)	
9. Armature Bar	39. Back Binding Post
10. Armature Bar Pin	40. Capacitor Wire Lead (Positive)
11. Armature Bar & Springs Major Component of Mechanical System Component of Electrical System Component of Magnetic System	41. Back Coil Wire Lead
	42. Insulating Shoulder Washer
12. Top Binding Post Mounting Screw	43. Insulating Shoulder Washer
13. Flat Washer	44. Flat Washer
14. Insulating Shoulder Washer	45. Back Binding Post Mounting Screw
15. Insulating Shoulder Washer	46. Back Binding Post Component of Electrical System
16. Shim Washer (not required on all set-ups)	
17. Shim Washer (not required on all set-ups)	47. Back Spring Mount
18. Capacitor Wire Lead (Negative)	48. Back Upright
19. Front Coil Wire Lead	49. Front Upright
20. Top Binding Post	50. Frame Base
21. Contact Point Screw	51. Tube Vise
22. Contact Point Set Screw	52. Tube Vise Screw
23. Top Binding Post Component of Electrical System	53. Frame Component of Mechanical System Possible Component of Electrical System Possible Component of Magnetic System
24. Front Coil Core (Top)	54. Tube Stem
25. Front Coil	55. Tube Grip
26. Front Coil Core (Bottom)	56. Set Screw
27. Shim Washer (not required on all set-ups)	57. Set Screw
28. Shim Washer (not required on all set-ups)	58. Tube Tip
29. Yoke (not required on all set-ups)	59. Needle Bar
30. Shim Washer (not required on all set-ups)	60. Needles
31. Back Coil Core (Bottom)	61. Rubber Bands
32. Coil Connecting Leads (Soldered)	62. Grommet