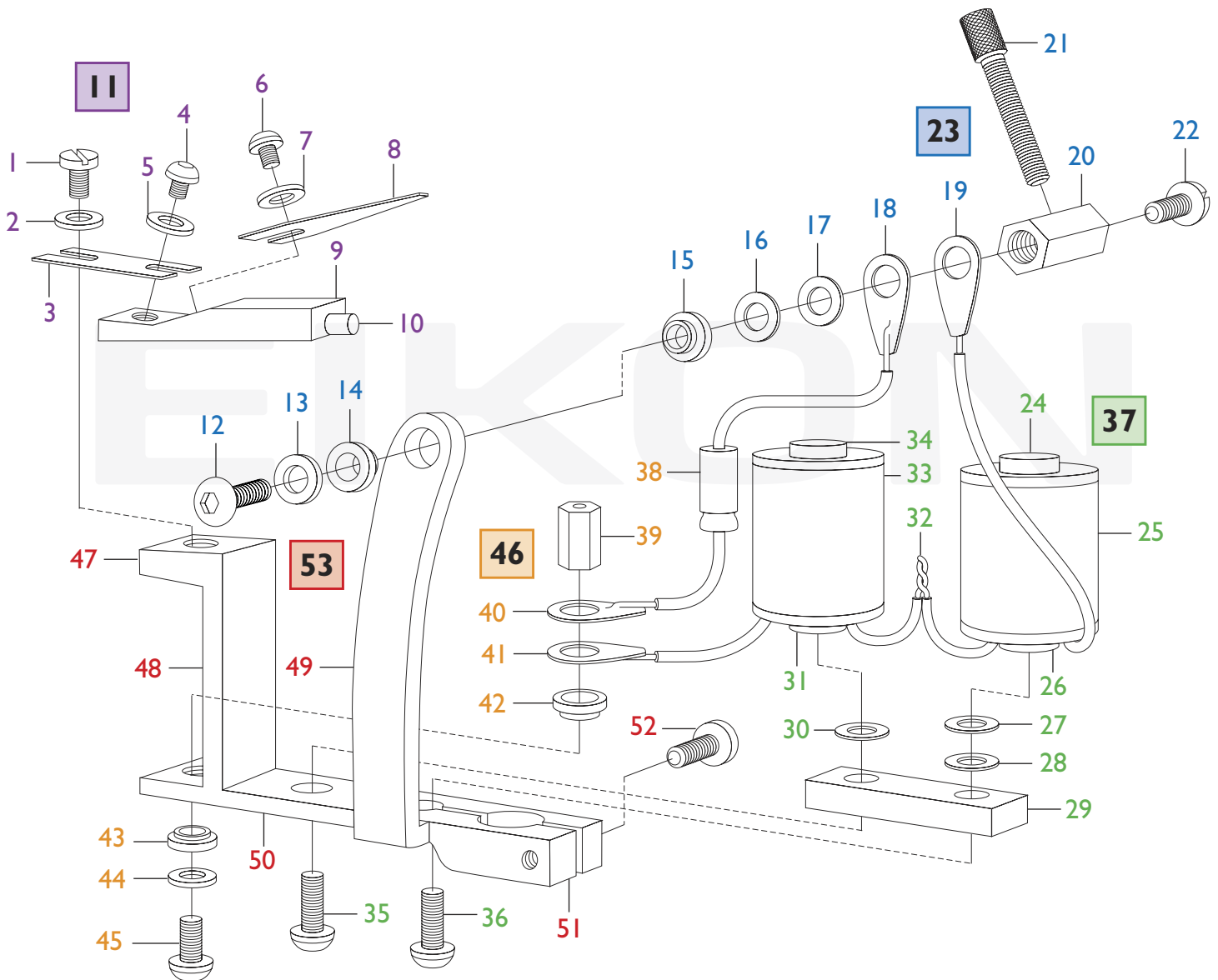


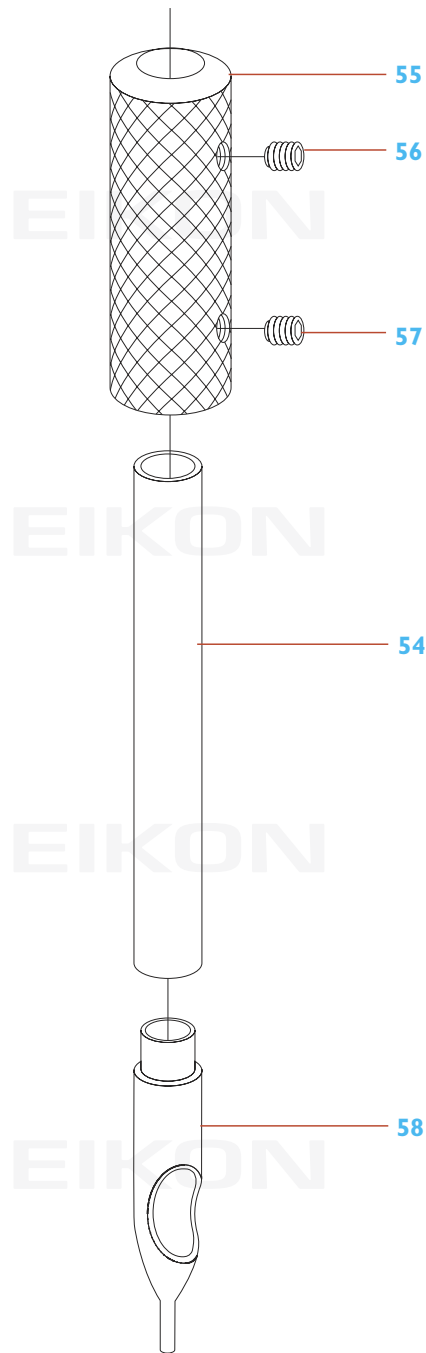
MACHINE PARTS - EXPLODED VIEW

Print Version



MACHINE PARTS - EXPLODED VIEW

Print Version



1. Main Spring Mounting Screw	33. Back Coil
2. Flat Washer	34. Back Coil Core (Top)
3. Main Spring (Back Spring)	35. Back Coil Mounting Screw
4. Armature Bar Screw	36. Front Coil Mounting Screw
5. Flat Washer	37. Coils Major Component of Magnetic System Component of Electrical System
6. Armature Bar Screw	
7. Flat Washer	
8. Timing Spring (Front Spring)	38. Capacitor Major Component of Electrical System
9. Armature Bar	39. Back Binding Post
10. Armature Bar Pin	40. Capacitor Wire Lead (Positive)
11. Armature Bar & Springs Major Component of Mechanical System Component of Electrical System Component of Magnetic System	41. Back Coil Wire Lead
	42. Insulating Shoulder Washer
	43. Insulating Shoulder Washer
12. Top Binding Post Mounting Screw	44. Flat Washer
13. Flat Washer	45. Back Binding Post Mounting Screw
14. Insulating Shoulder Washer	46. Back Binding Post Component of Electrical System
15. Insulating Shoulder Washer	
16. Shim Washer (not required on all set-ups)	47. Back Spring Mount
17. Shim Washer (not required on all set-ups)	48. Back Upright
18. Capacitor Wire Lead (Negative)	49. Front Upright
19. Front Coil Wire Lead	50. Frame Base
20. Top Binding Post	51. Tube Vise
21. Contact Point Screw	52. Tube Vise Screw
22. Contact Point Set Screw	53. Frame Component of Mechanical System Possible Component of Electrical System Possible Component of Magnetic System
23. Top Binding Post Component of Electrical System	
24. Front Coil Core (Top)	55. Tube Grip
25. Front Coil	56. Set Screw
26. Front Coil Core (Bottom)	57. Set Screw
27. Shim Washer (not required on all set-ups)	58. Tube Tip
28. Shim Washer (not required on all set-ups)	59. Needle Bar
29. Yoke (not required on all set-ups)	60. Needles
30. Shim Washer (not required on all set-ups)	61. Rubber Bands
31. Back Coil Core (Bottom)	62. Grommet
32. Coil Connecting Leads (Soldered)	